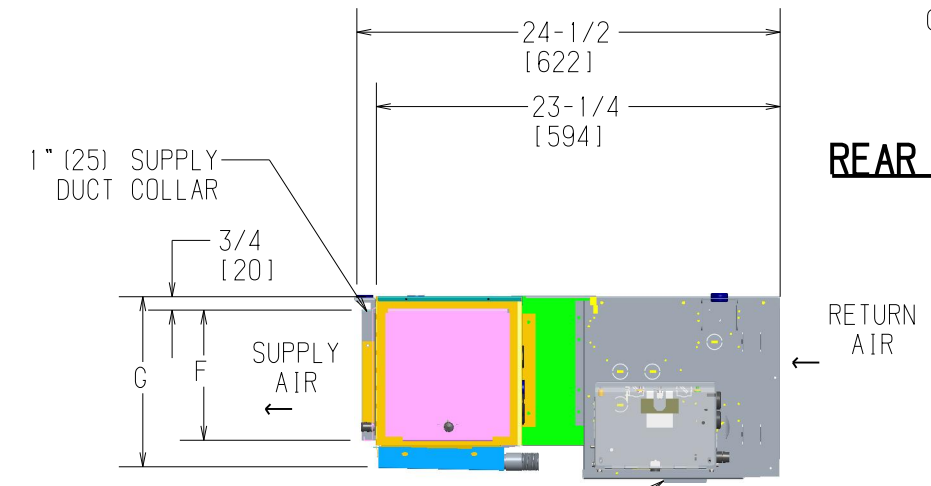
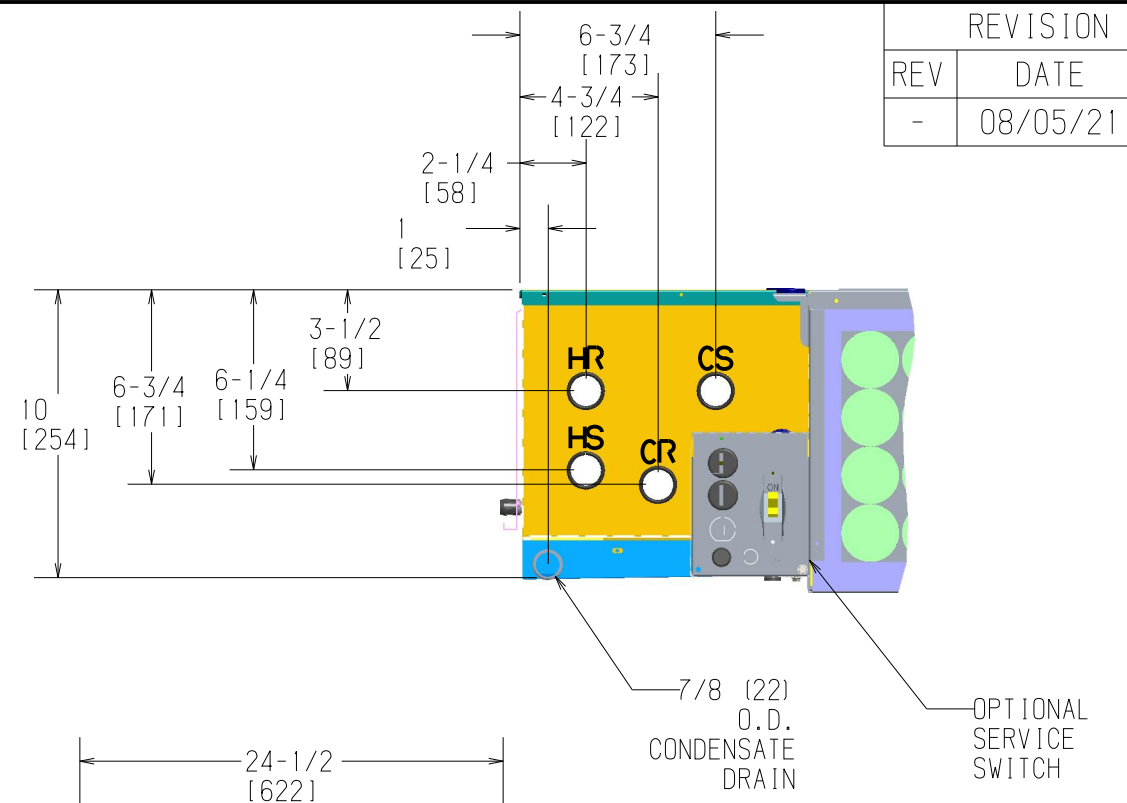
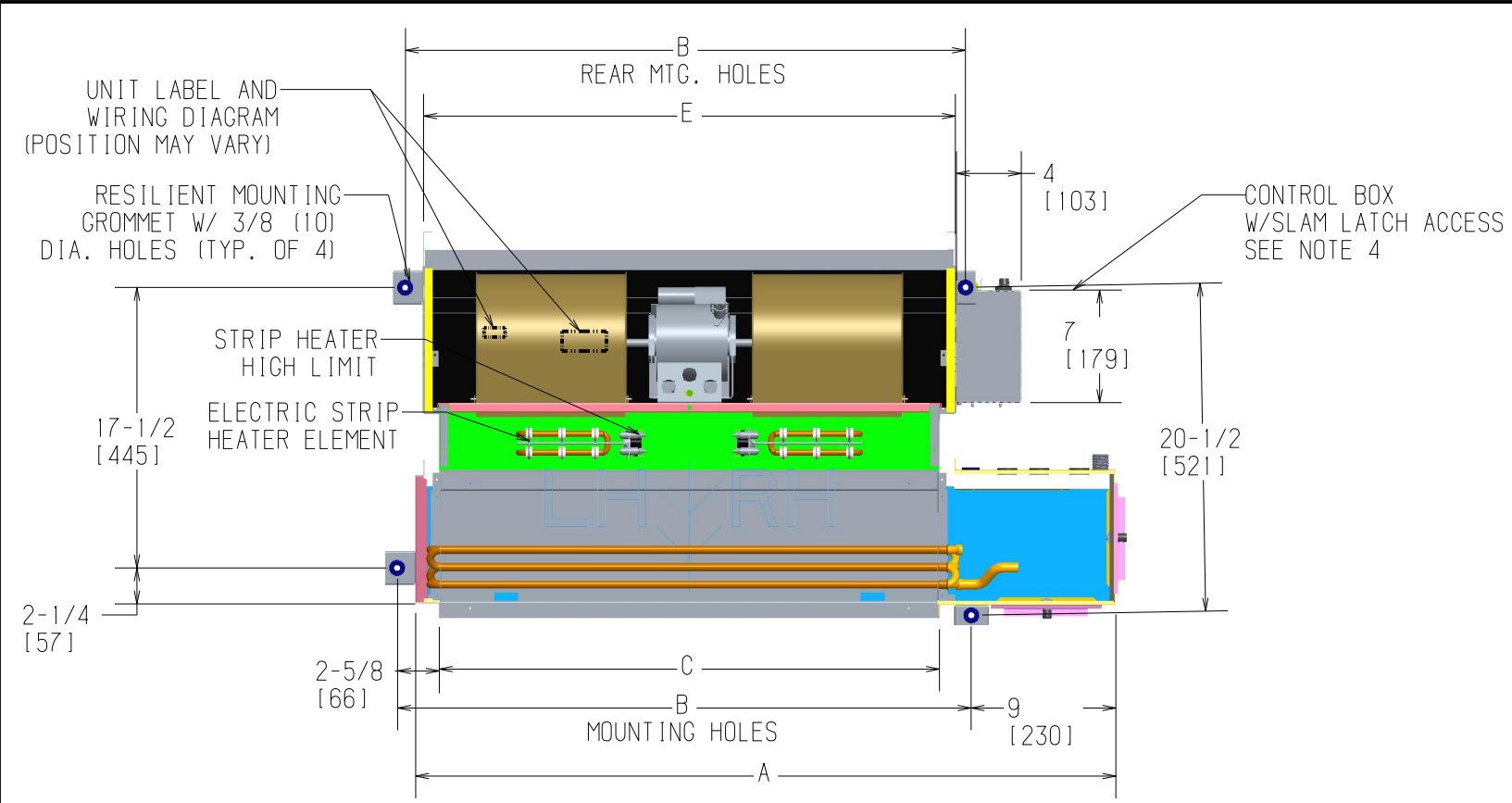


REVISION HISTORY		
REV	DATE	ECN
-	08/05/21	21-1048



- NOTES:
1. RH SHOWN, LH OPPOSITE.
 2. ALL DIMENSIONS ARE +/- .25 (6). DRAWING NOT TO SCALE.
 3. PRODUCT SPECIFICATIONS ARE SUBJECT TO CHANGE WITHOUT NOTICE.
 4. CONTROL BOX SIZE AND POSITION MAY VARY (CONSULT FACTORY)
 5. SERVICE ENTRANCE IS LOCATED ON THE REAR OF THE CONTROL BOX WITH KNOCKOUTS.
 6. UNITS WITHOUT SERVICE SWITCH USE THE KNOCKOUTS ON THE REAR SIDE OF THE CONTROL BOX.
 7. TYPICAL SIZE 06 UNIT SHOWN WITH 1-MOTOR AND 2-BLWR - REFER TO TABLE FOR VARIATION.

Unit Model	Dimensions - Inches (Millimeters)						Quantity/Unit	
	A	B	C	E	F	G	BLWR	MOTOR
CPY 02	28-1/4 (718)	20-3/4 (527)	16 (406)	18-1/4 (464)	6-1/4 (159)	8-3/4 (222)	1	1
CPY 03	32-1/4 (819)	24-3/4 (629)	20 (508)	22-1/4 (565)	6-1/4 (159)	8-3/4 (222)	1	1
CPY 04	38-1/4 (972)	30-3/4 (781)	26 (660)	28-1/4 (718)	6-1/4 (159)	8-3/4 (222)	2	1
CPY 06	43-1/4 (1098)	35-3/4 (908)	31 (787)	33-1/4 (845)	7-1/2 (191)	10 (254)	2	1
CPY 08	50-1/4 (1276)	42-1/2 (1080)	38 (965)	40-1/4 (1022)	7-1/2 (191)	10 (254)	2	1
CPY 10	64-1/4 (1632)	56-1/2 (1435)	52 (1321)	54-1/4 (1378)	7-1/2 (191)	10 (254)	4	2
CPY 12	72-1/4 (1835)	64-1/2 (1638)	60 (1524)	62-1/4 (1581)	7-1/2 (191)	10 (254)	4	2

TITLE
 CPY HORIZONTAL HIDEAWAY W/PLENUM W/ELEC HEAT
 SS CONTROLS/PIPING VLV ENCL

DWG NO
1100-90041663

REV
 -

DRAWN K.LIETZ	DATE 09/01/21	APPROVED S.STOTTS	DATE 09/01/21
-------------------------	-------------------------	-----------------------------	-------------------------